

TB 5000
BEFARD TRACKED MINI CRANE



Mini crane on a BEFARD TB 5000 crawler chassis stands out for its maneuverability and mobility. Is very efficient at work, yet durable and reliable. Despite its compact structure and low weight It is characterized by high stability and can lift even heavy and large loads.



BEFARD TB intended for indoor and outdoor work.

- maximum load capacity of 2400 kg
- range over 13m
- active arm
- four hydraulic extensions + one manual
- dual power supply - combustion and electric
- possibility of transporting the device even on a trailer up to 3.5t GVW



EQUIPMENT OF THE BASIC VERSION

- radio control (both driving and work)
- non-marking tracks
- two working and driving modes (fast and slow)
- anti-overload system
- the set includes a charger for radio control with a function charging in the car



OPTIONAL EQUIPMENT

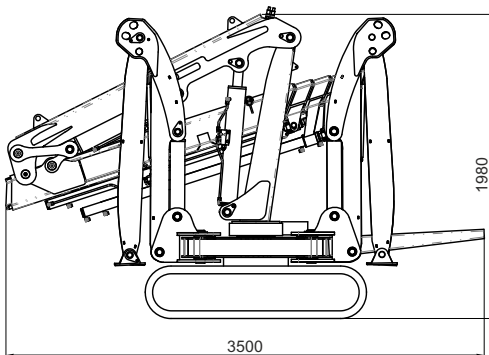
- powered by Li-ion batteries
- hydraulic JIB
- crane boom tip
- hydraulic winch
- additional hydraulic functions
- LED work lamp
- outrigger mats



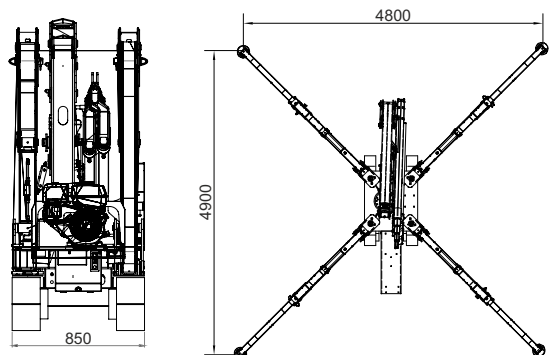
TECHNICAL PARAMETERS:

Maximum load capacity	2400kg
Maximum reach - horizontally \longleftrightarrow	11,20m
Maximum reach - vertical \updownarrow	13,30m
Winch	990kg
Winch rope	50m
Radio remote control	work and drive
Weight	2200kg
Power supply	engine 14KW + 230V, 400V or 110V or Li-ion baeries (48A 200Ah)
Spacing of supports	4,8x4,9m

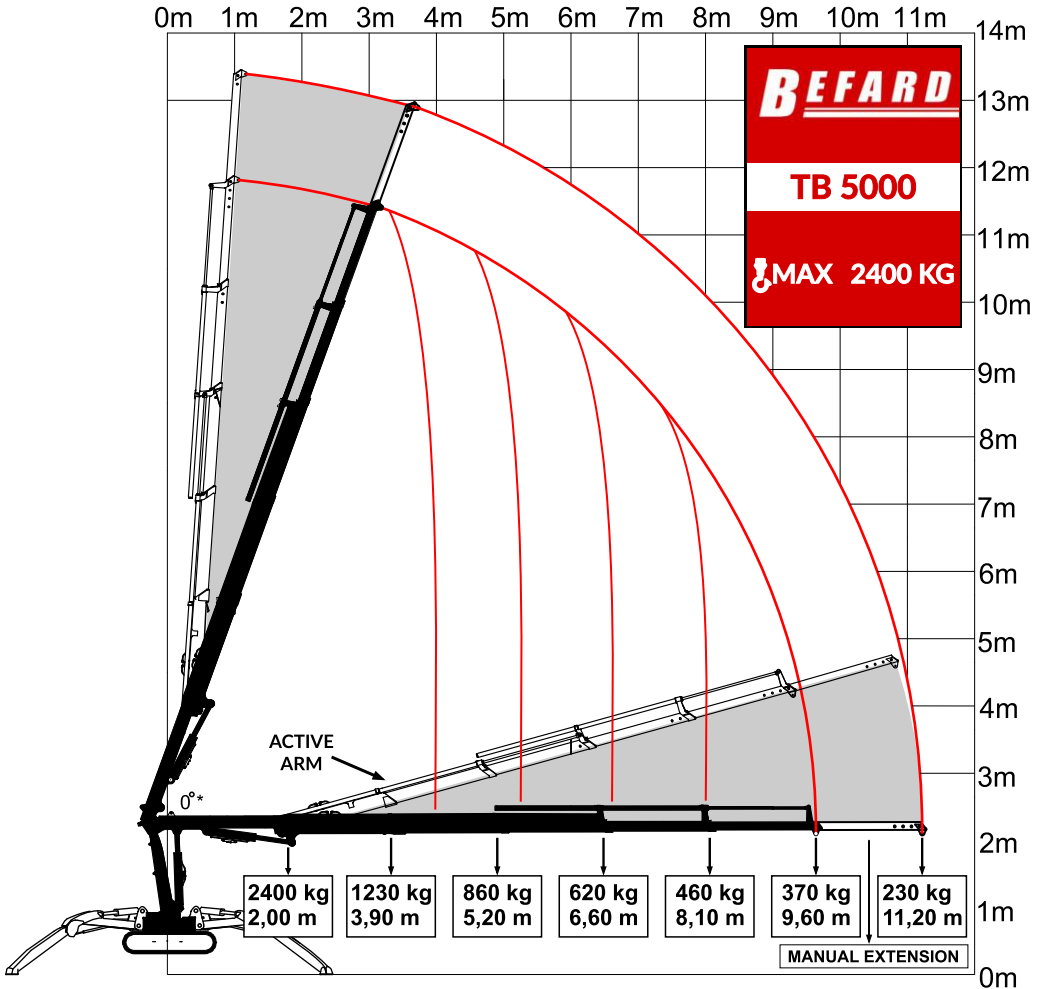
Transport posion



Spacing of supports



TB 5000 standard version



* The possibility of working with both arms fully extended

** An active arm with linkage on crane articulations, allowing for an additional break up to 16th rise

TB 5000.JIB (optional)

BEFARD TB 5000.JIB is an alternative to the basic version of TB 5000, Thanks to the JIB arm, it is more mobile and allows you to work in hard-to-reach places.

TB 5000.JIB is equipped with an active arm, two hydraulic extensions and two JIB hydraulic extensions.

