

XM 800 - GASOLINE ENGINE
XM 800e - ELECTRIC
MINI CRANE ON TRACKED CHASSIS



BEFARD XM 800 / XM 800e - PICK and CARRY mini crane on a tracked chassis. Crane with column rotation function, fully radio controlled (driving and device functions). Equipped as a standard with non-marking tracks and extendable tracked chassis, which allows you to work both indoors and outdoors.

BEFARD XM 800 enables the safety transport of the loads on the construction site while maintaining stability.



BEFARD XM 800 - gasoline engine *BEFARD XM 800e - electric*

- maximum load capacity 990 kg with optional equipment
- reach of 6.85 m with optional equipment
- powered by a gasoline engine or Li-ion batteries
- weight ~1000 kg - transport by cars up to 3.5 t

STANDARD EQUIPMENT

- two hydraulic extensions (XM 800.2 / XM 800.2e)
- non-marking tracks
- extendable chassis tracks 78-110 cm
- radio control (both work and drive)
- rotating column 50°
- two operating modes (fast and slow)
- anti-overload system

RADIO CONTROL
AS STANDARD



*chassis 2022/2023 3-roller version, later 4-roller versions

OPTIONAL EQUIPMENT

- hydraulic winch
max. 500kg*



- crane boom tip
(extends the reach by 50 cm)
- manual JIB extension
(extends the reach by 100 cm)



- possibility of double
power supply

- platform for
the operator

- extension to the
loading platform
by 50 cm

- LED work lamp



All configuration of XM 800 are equipped with one piece of hook that can be reattached to additional equipment if necessary

DEVICE'S FEATURES

- wide opening angle of the arm (57°) for easier placement of the load on the platform
- the dimensions of the device allow entry into doors (width 80 cm)
- easy disassembly of counterweight (to easier transport)**
- dedicated system for attaching the crane boom tip on the arm (in the transport position)
- the possibility of transporting the load on the device platform (permissible load weight depending on terrain)



* when using a winch, the lifting capacity of the device is reduced by 25 kg; winch operation characteristics depending on the length of the unrolled rope
** the shape and parameters of the counterweight depends on the version of the device

BEFARD XM 800e electric - comfort and eco

- fully battery powered (Li-ion batteries)
- bio oil - optionally available for both combustion and electric versions
- in the combustion version, the device can be equipped with an electric motor (on-grid power 230V)



Standard: during charging on-grid it's possible to work with the device (on wire)

Standard: built-in Li-ion 230V battery charger

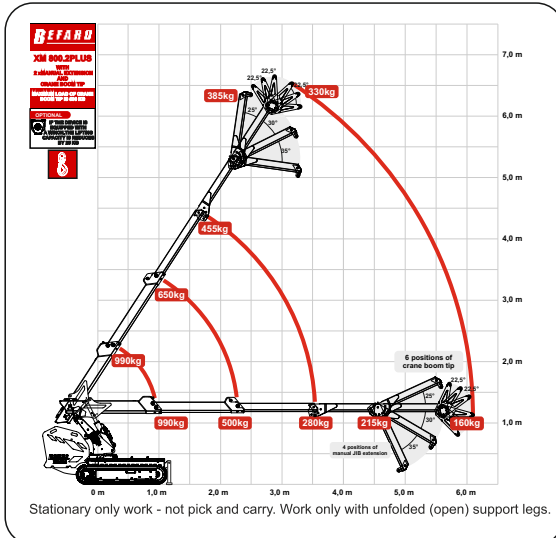
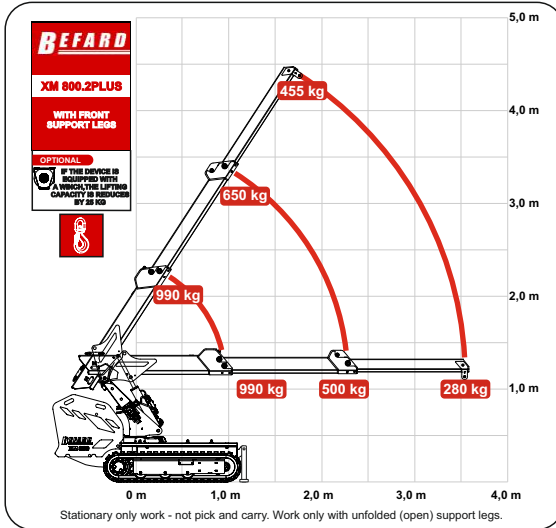
Electric BEFARD machines mean not only the eco, but also the highest comfort of work. Eliminating the combustion engine minimizes machine noise and vibration.

Electric cranes BEFARD provides a unique user experience and precision of work. It also gives you the option of free use of the machine in European city centers where regulations apply Low Emission Zone (e.g. London, Paris, Berlin).

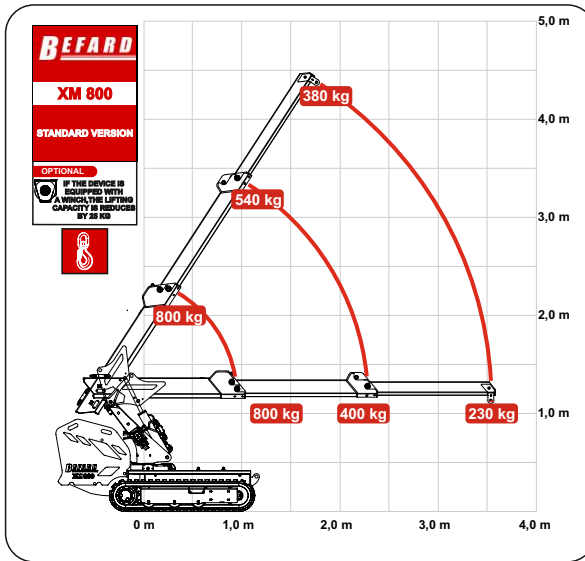


BEFARD XM 800.2PLUS - greater reach and lifting capacity

- maximum load capacity 990 kg
- reach of 6.85 m when using optional equipment
- hydraulic front supports
- the combustion engine version can be upgraded with an electric motor (grid-powered)

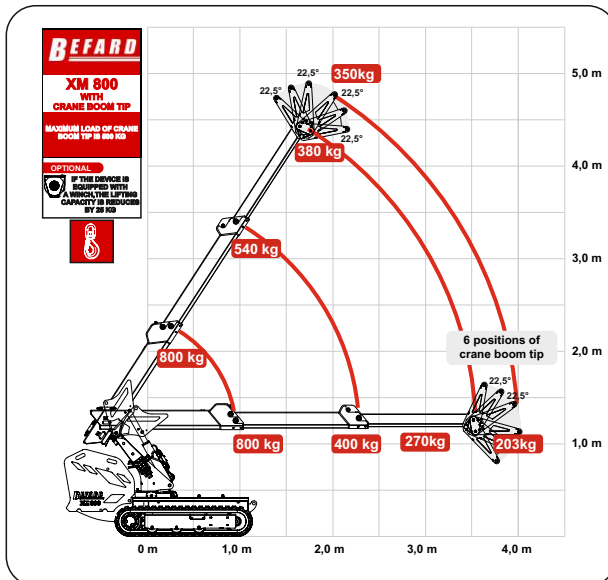


XM 800.2 / XM 800.2e standard version



Vertical range - about 4.5 m

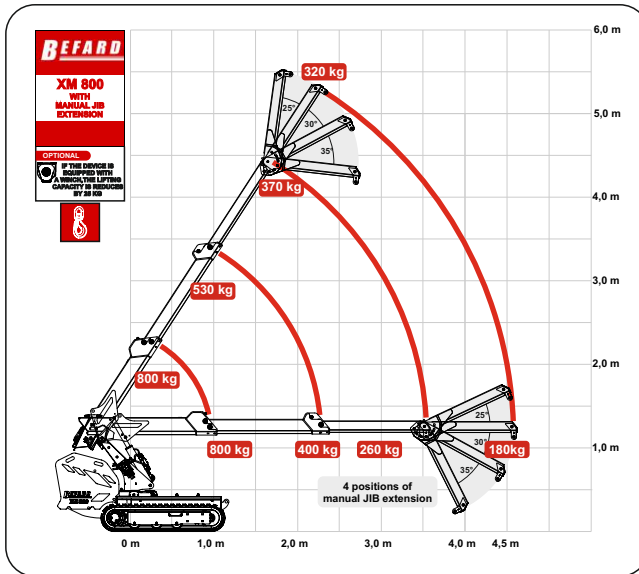
XM 800.2 / XM 800.2e version with crane boom tip



Vertical range - about 5 m

6 positions of crane boom tip enables precise assembly of elements

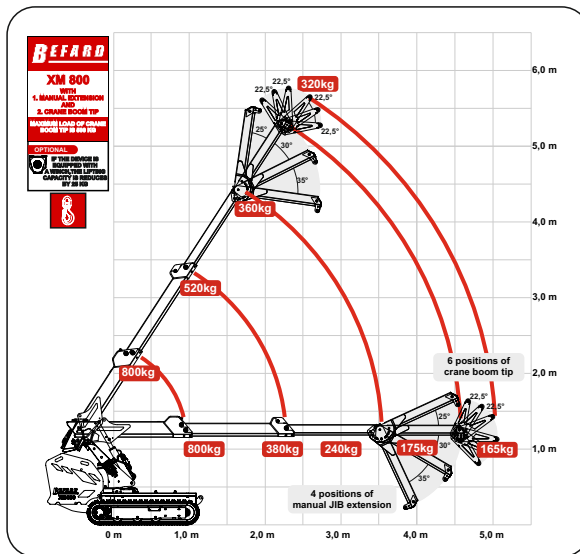
XM 800.2 / XM 800.2e version with manual JIB extension



Vertical range -
about 5.6 m

Using manual JIB
facilitate placement
the load in the
hard-to-reach places

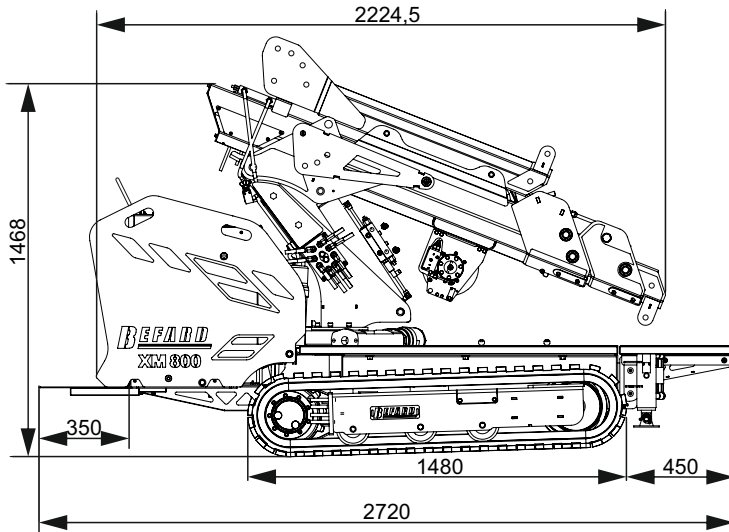
XM 800.2 / XM 800.2e version with manual JIB extension and crane boom tip



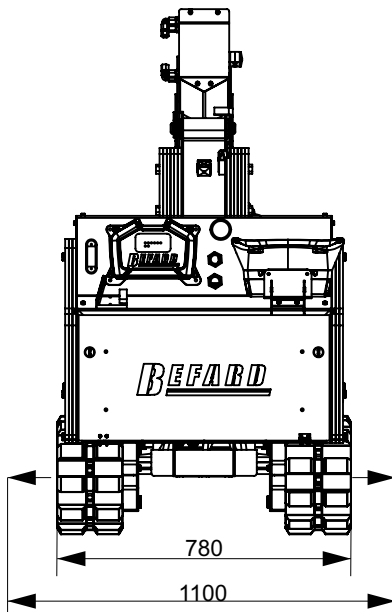
Vertical range -
about 5.8 m

Using the manual JIB and
crane jib extension
increases the reach of the
device and the number
of mounting positions

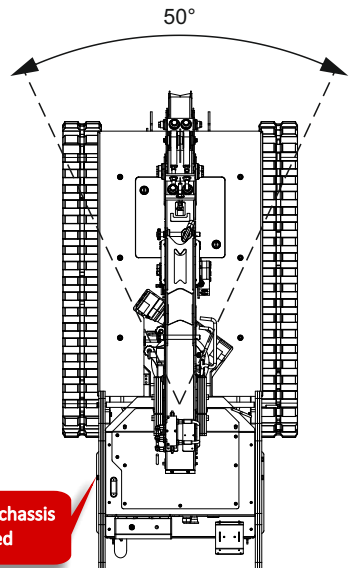
Transport dimension



Dimension of folded/unfolded tracks



Rotating column



Use when the chassis is unfolded

version 06.24