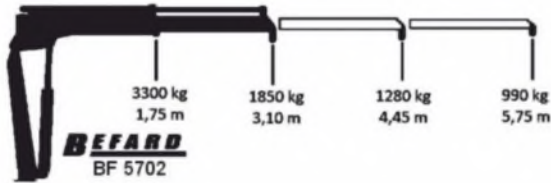




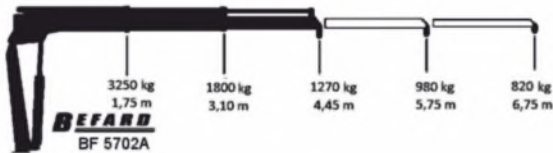
***BEFARD series BF 5702***

# BF 5702

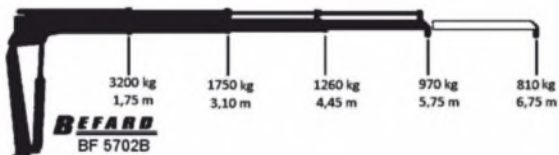
The diagram shows the general technical parameters of the lifting capacity of the different versions BF 5702 cranes intended both for the markets of EU countries, as well as non-European markets.



- Hydraulic extension: 1
- Manual extension: 2



- Hydraulic extension: 2
- Manual extension: 2



- Hydraulic extension: 3
- Manual extension: 1

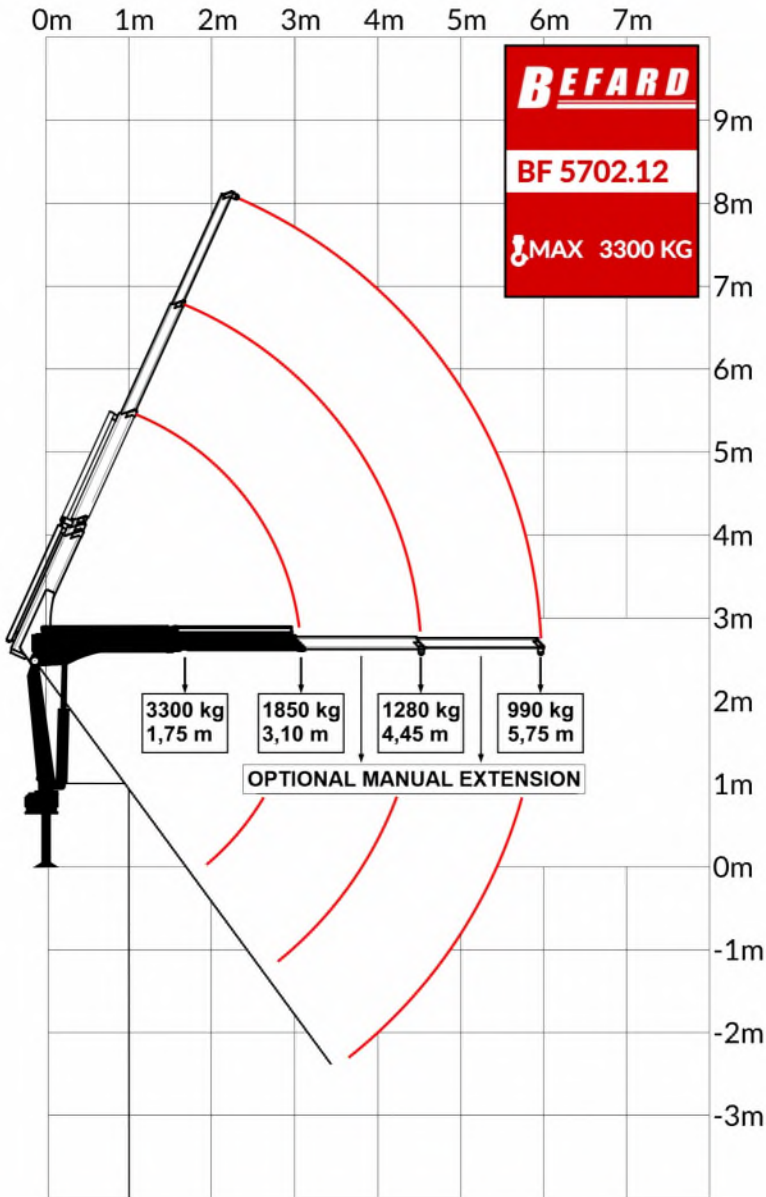
**TECHNICAL PARAMETERS****BF 5702**

Lifting moment	57 kNm	
Maximum lifting capacity	3300 kg	
Hydraulic extension	3100 mm	
Maximum reach with manual extensions	5750 mm	
Crane height	2200 mm	
Transport width	2000 mm	
Spacing of supports	5020 mm	
Rotation angle	210-360°	
The moment of rotation (25,5 MPa)	7,6 kNm	
Working pressure	230bar	
Recommended pump	Working pressure	280 bar
	Pump capacity after mounted at 600 rpm.	15-18 l/min
Weight	530kg	

Recommended pump flow, given in the card, may change depending on the power supply and the specification of the device that will be mounted to the crane. In standard applications, this is the maximum value.



## BEFARD BF 5702.12



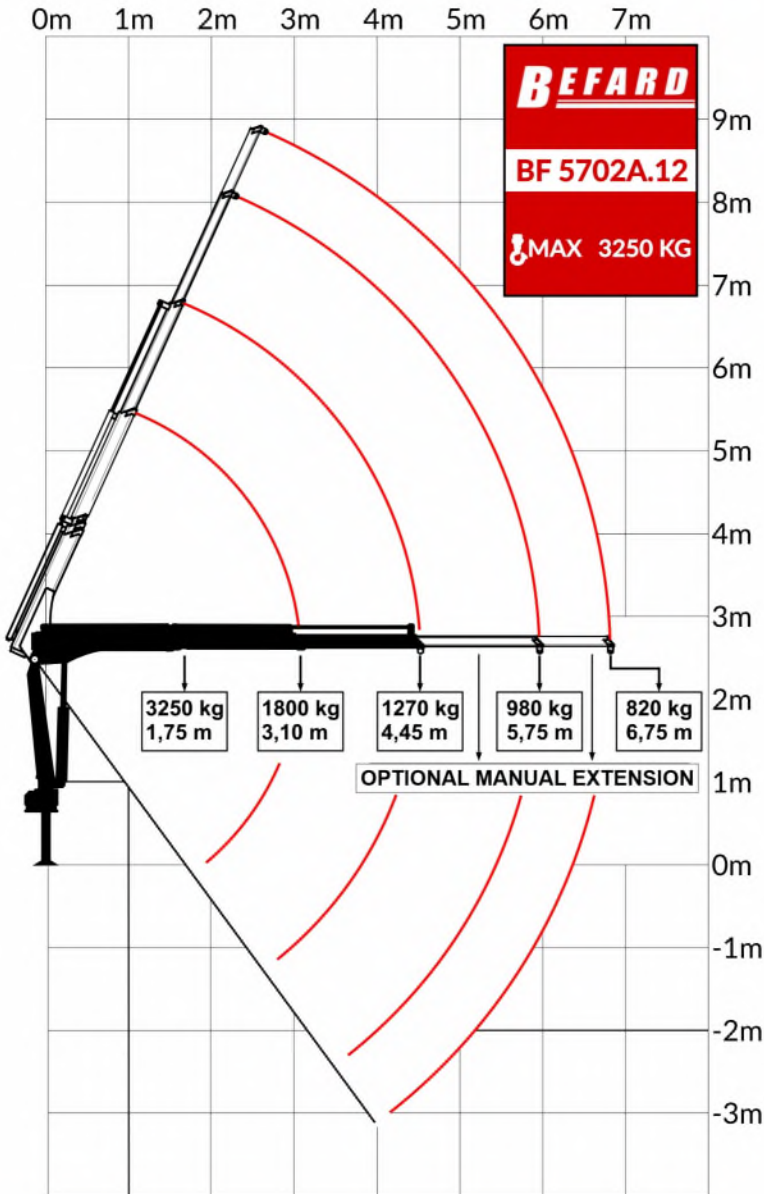
**TECHNICAL PARAMETERS****BF 5702A**

Lifting moment	57 kNm	
Maximum lifting capacity	3250 kg	
Hydraulic extension	4450mm	
Maximum reach with manual extensions	6750 mm	
Crane height	2200 mm	
Transport width	2000 mm	
Spacing of supports	5020 mm	
Rotation angle	210-360°	
The moment of rotation (25,5 MPa)	7,6 kNm	
Working pressure	230bar	
Recommended pump	Working pressure	280 bar
	Pump capacity after mounted at 600 rpm.	15-18 l/min
Weight	540kg	

Recommended pump flow, given in the card, may change depending on the power supply and the specification of the device that will be mounted to the crane. In standard applications, this is the maximum value.



## BEFARD BF 5702A.12



**TECHNICAL PARAMETERS****BF 5702B**

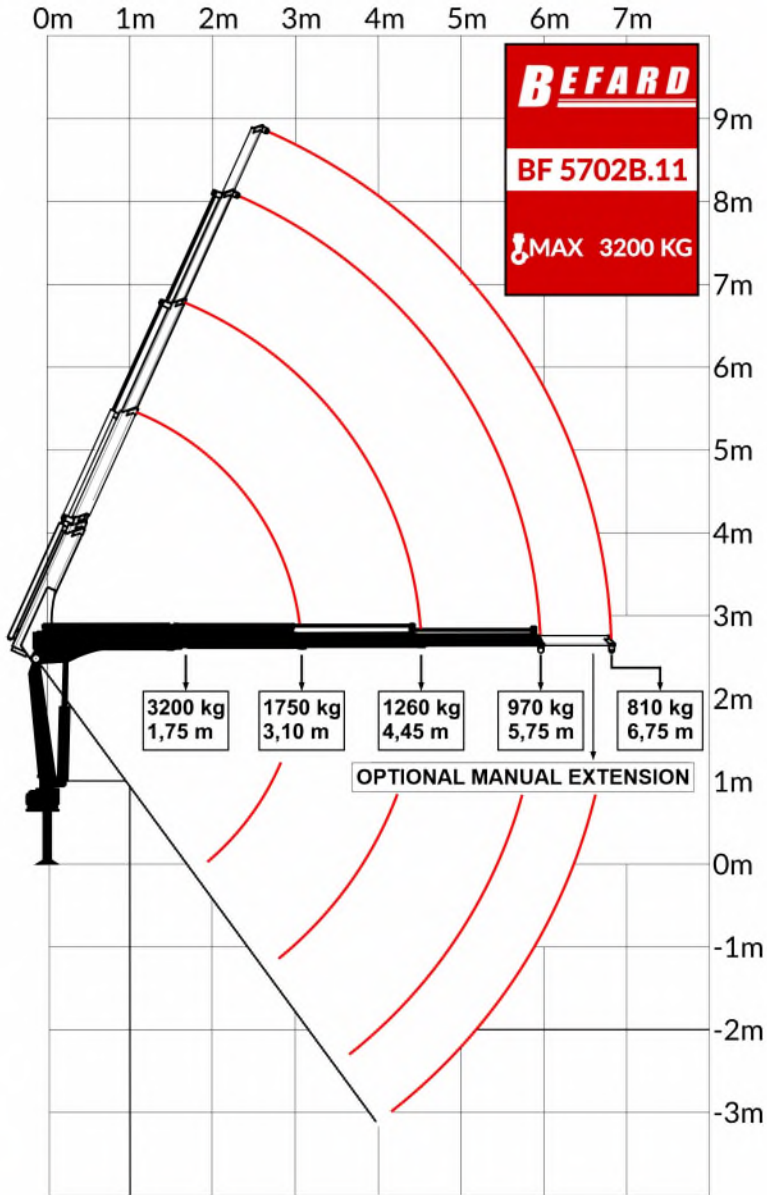
Lifting moment	56 kNm	
Maximum lifting capacity	3200 kg	
Hydraulic extension	5750mm	
Maximum reach with manual extensions	6750 mm	
Crane height	2200 mm	
Transport width	2000 mm	
Spacing of supports	5020 mm	
Rotation angle	210-360°	
The moment of rotation (25,5 MPa)	7,6 kNm	
Working pressure	230bar	
Recommended pump	Working pressure	280 bar
	Pump capacity after mounted at 600 rpm.	15-18 l/min
Weight	550kg	

Recommended pump flow, given in the card, may change depending on the power supply and the specification of the device that will be mounted to the crane. In standard applications, this is the maximum value.





## BEFARD BF 5702B.11







Capacity  
3.3t



It allows you  
to work safely



Durable  
construction



## **SPECIFICATION**

- The CE version meets the essential requirements of the Machinery Directive 2006/42/EC and directive 2004/108/EC
- Safety STOP switch
- Double-action locks protecting the extension cylinders
- Reinforced hydraulic hoses
- Two-sided support, lowered (up-down) hydraulically
- Spring protection preventing uncontrolled sliding of supporting beams
- Hook 3,5t
- Radio control
- The possibility of adaptive development
- Hydraulic overload protection system
- Bronze sliding bushings



Radio control