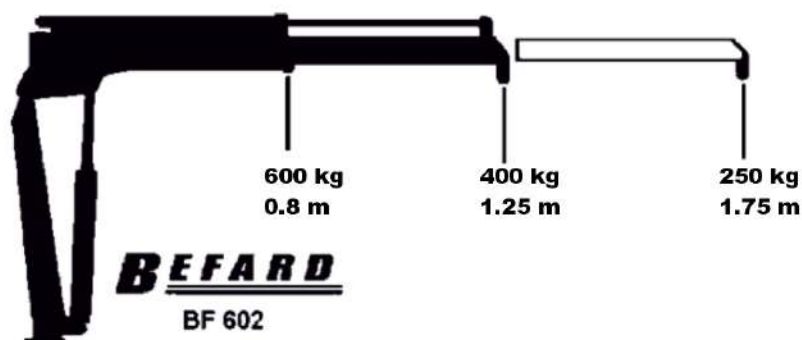




BEFARD series BF 602

BF 602

The diagram shows the general technical parameters of the BF 602 crane's lifting capacity, intended both for the markets of EU countries and non-European markets.

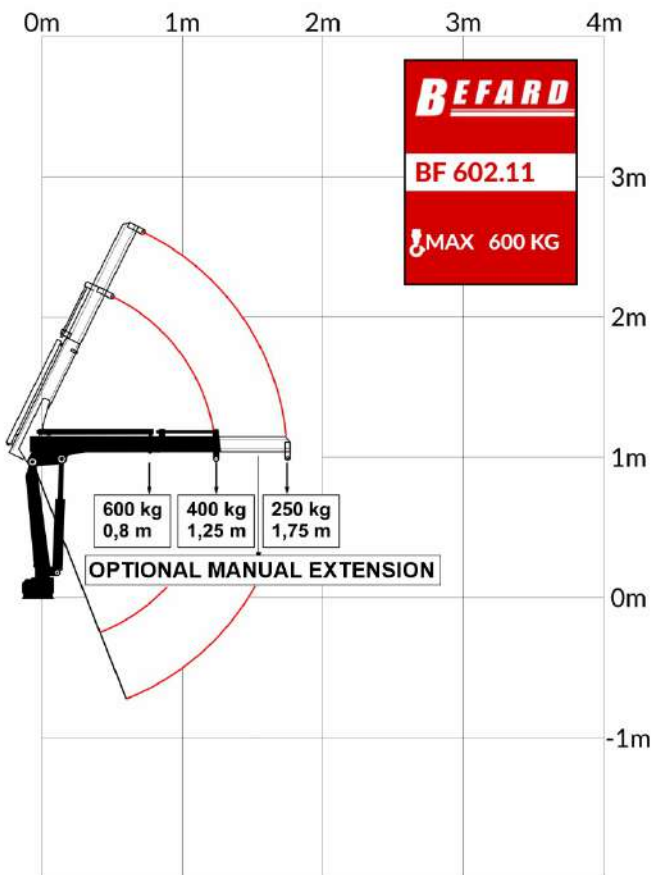


• Hydraulic extension: 1

• Manual extension: 1

TECHNICAL PARAMETERS

Lifting moment	5 kNm	
Maximum lifting capacity	600 kg	
Hydraulic extension	1250 mm	
Maximum reach with manual extensions	1750 mm	
Crane height	850 mm	
Transport width	520 mm	
Spacing of supports	500-1000 mm	
Rotation angle	100-360°	
The moment of rotation (16 MPa)	3,5 kNm	
Stroke angle	63°	
Downward tilt angle	60°	
Working pressure	165 bar	
Recommended pump	Working pressure	165 bar
	Flow	9 l/min
Weight (does not include support feet)	85 kg	



SPECIFICATION

- The CE version meets the essential requirements of the Machinery Directive 2006/42/CE and directive 2014/30/EU
- Safety STOP switch
- Double-action locks protecting the extension cylinders
- Reinforced hydraulic hoses
- Manual support, optionally lowered (up-down) hydraulically
- Spring protection to prevent uncontrolled removal support beams
- Hook 1,12t
- The possibility of adaptive development

Recommended pump flow given in the card, may change depending on the power supply and specification of the device as it will be mounted to the crane. In standard applications this is the maximum value.



Low weight



Most often chosen for Pick-up



Guarantee of quality

