



***BEFARD series RB 230-160***

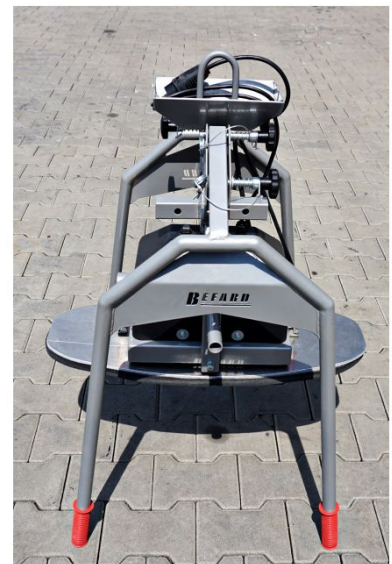
There are BEFARD vacuum grippers in various variants, different in terms of lifting capacity and suction cups. Individual versions of BEFARD grippers are devices adapted to the different needs of users.

## VACUUM GRIP FEATURES

- integrated vacuum measurement and monitoring device
- compact design (folding handles)
- easy, individual configuration, without the use of specialized tools

## ADVANTAGES OF THE VACUUM GRIPPER

- possibility of lifting up to 200 kg
- small dimensions and lightness (30 kg - weight with a suction cup)
- possibility of working in two ways: manual assembly by two people or by means of a forklift by one person
- very quick suspension of transported elements
- allows you to place the lifted elements very tightly (the side edges of the load are free)

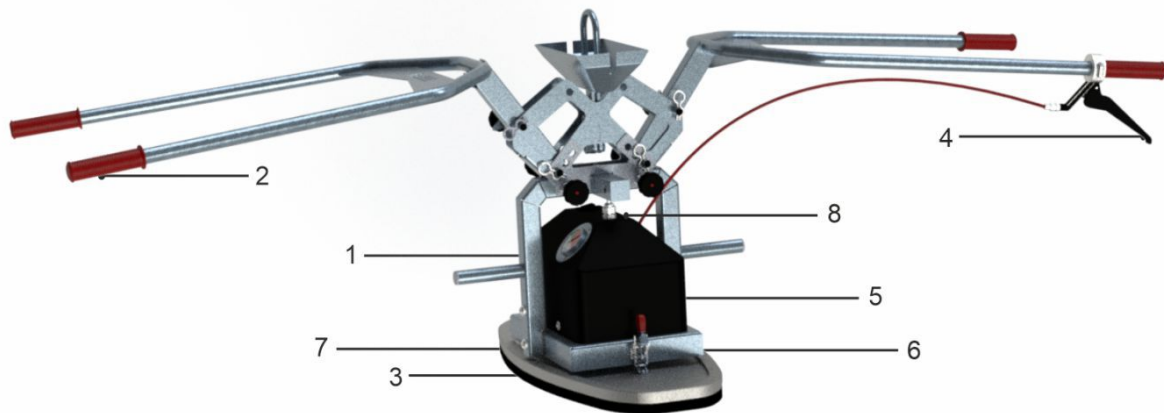




## TECHNICAL PARAMETERS

|   |   |
|---|---|
| Model                                   | RB230-160   |
| Power                                   | From the network  |
| Supply voltage                          | 230 V 50 Hz   |
| Energy consumption                      | 1,5 kW  |
| Maximum allowable inertia load          | Manual operation - 140 kg<br>Service by means of transport - 200 kg |
| Weight                                  | 30 kg   |
| Temperature range                       | +3°C do +40°C   |
| Noise                                   | < 78 dB   |
| Dimension of the standard suction plate | 705x305   |
| Optional suction plate dimension        | 712x157x35x169  |
| Vacuum system                           | One vacuum circuit  |
| Min/max vacuum during operation         | -0,2 bar  |

## Components



1 Vacuum manometer

2 Handle

3 Quick coupler for attaching the suction plate

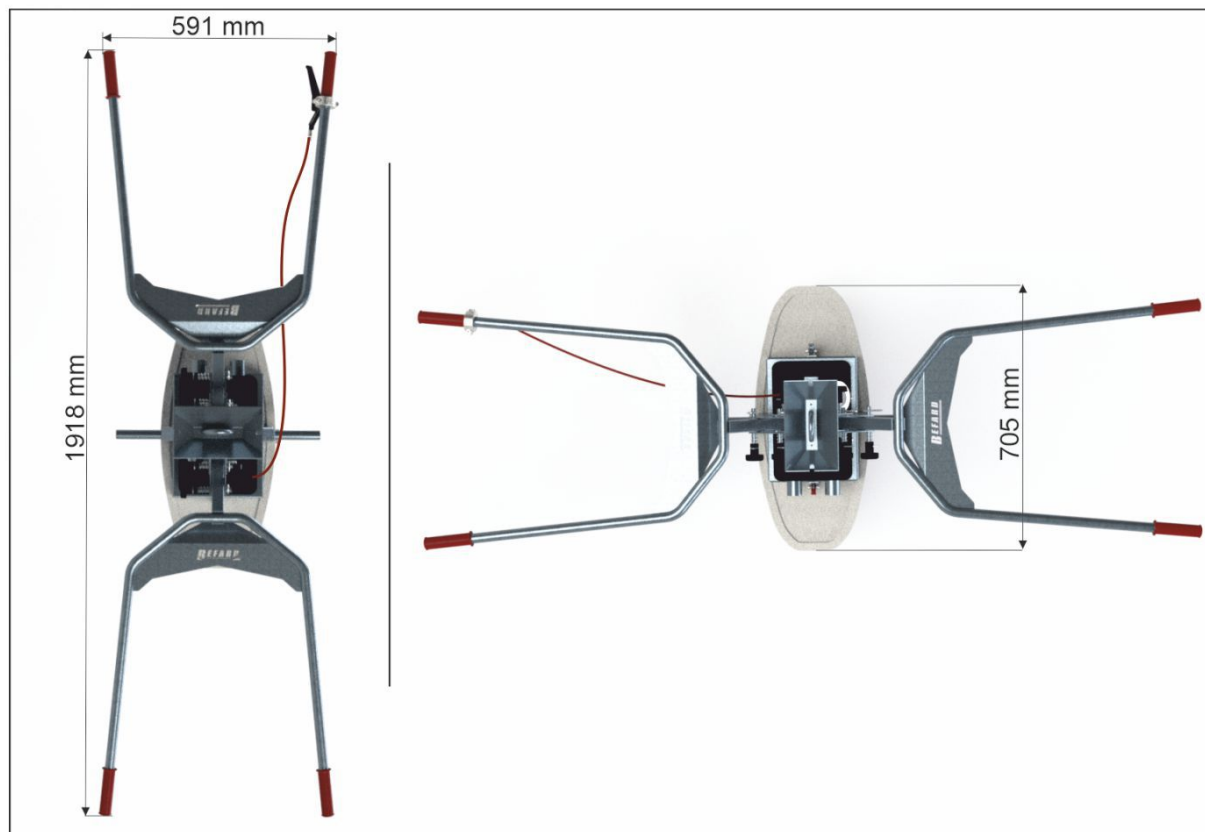
4 Load release lever

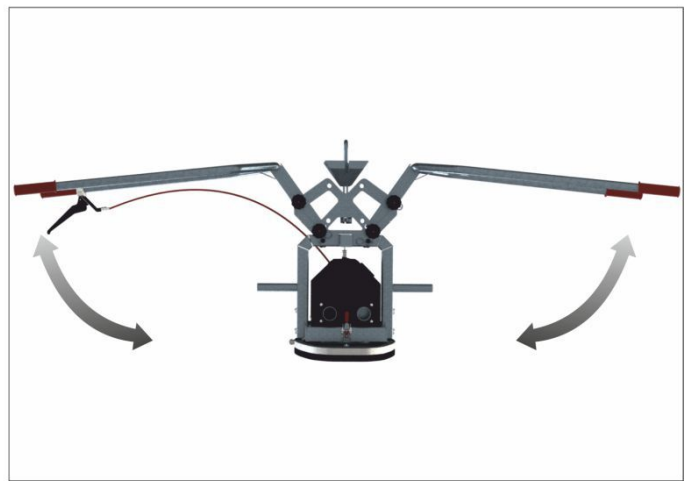
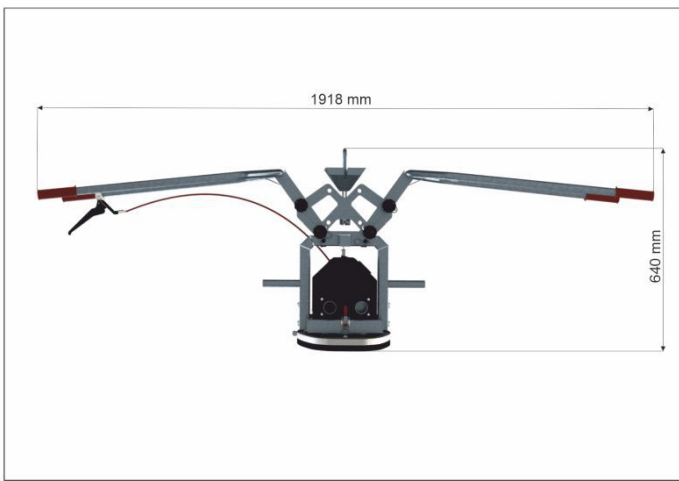
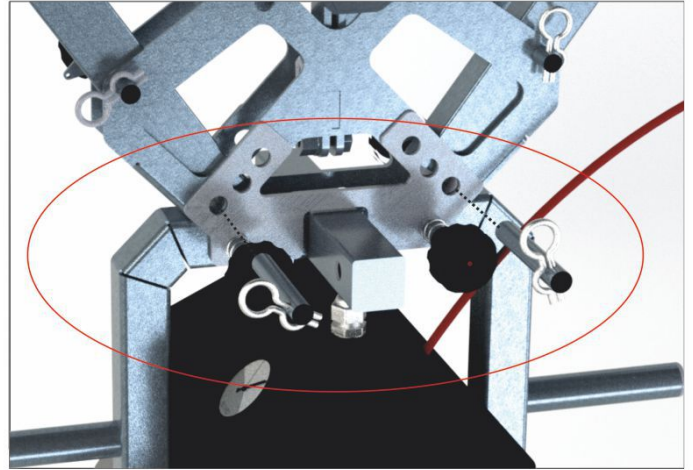
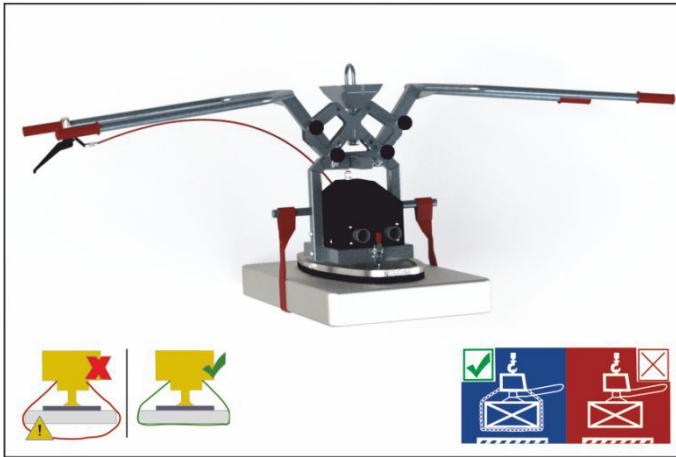
5 Vacuum pump

6 Basic body

7 Sucker

8 Cable





Pressure gauge showing the value -0,2 means ready for operation

