

BEFARD TB 7002

MINI CRANE ON A TRACKED CHASSIS



BEFARD TB 7002

MINI CRANE ON A TRACKED CHASSIS

The BEFARD TB mini crawler crane is distinguished by its maneuverability and mobility. It is very effective at work, and at the same time durable and reliable. Despite its compact design and low weight, it is characterized by high stability and can lift even very heavy loads.


FEATURES OF THE MINI BEFARD CRANE:

Mini crane designed for indoor and outdoor work

Standard equipment:

- remote control - handling both driving and crane operation,
- extendable tracks,
- 360 ° rotation of the crane's column,
- two modes of operation (tortoise / hare),
- non-marking tracks,
- hydraulic 900kg winch,
- JIB arm

BEFARD TB 7002 - powered by an internal Diesel engine and 230V mains

BEFARD TB 7002e - powered by lithium-ion battery operation **LI-ION** 

remote control

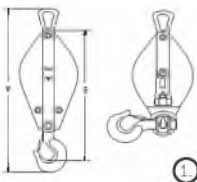


TECHNICAL PARAMETERS:

Maximum lifting capacity	2500 kg/ 1,5 m
Maximum horizontal reach with search hook	9,70 m
Maximum vertical reach with search hook	about 13 m
Maximum horizontal reach with JIB and search hook	14,80 m
Maximum vertical reach with JIB and search hook	about 18 m
Maximum horizontal reach without hook and JIBA	8,75 m
Maximum vertical range with JIB without a search hook	14,30 m
Rotational angular speed	Continuous/1,5 rpm
Winch:	Strength on a single rope 900kg Rope length 65m Pull-in speed 47m/min.
Engine Diesel +230V or battery Li-ion	
Crawler crane drive:	Moto-reducer gearbox Scope 50l/min Emphasis 195 bar Speed 0-2 km/h Max. degree of inclination 20°

OPTIONAL EQUIPMENT:

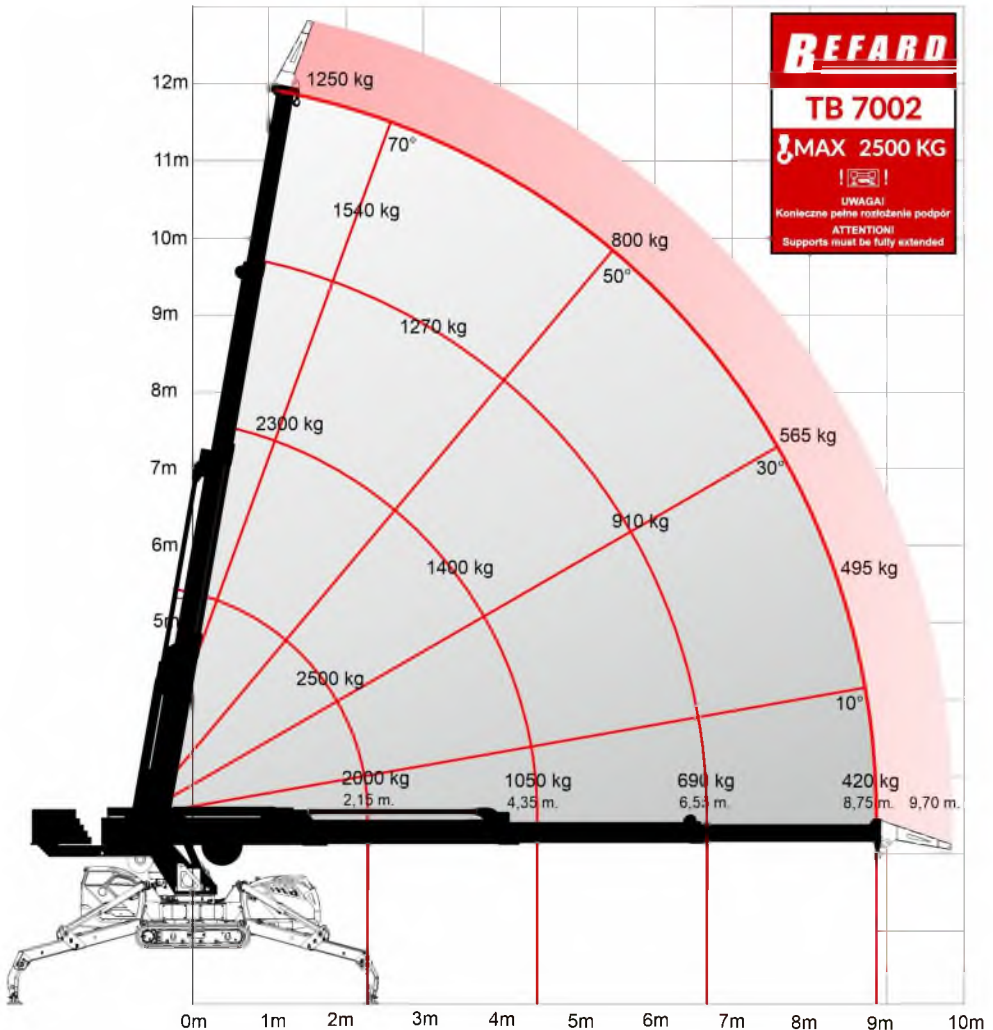
- work lights
- 2.2 KW / 400 V three-phase electric motor Fig. 3
- chocks for supporting feet Fig. 2
- block Fig. 1



BEFARD TB 7002

MINI CRANE ON A TRACKED CHASSIS

Reach with hook

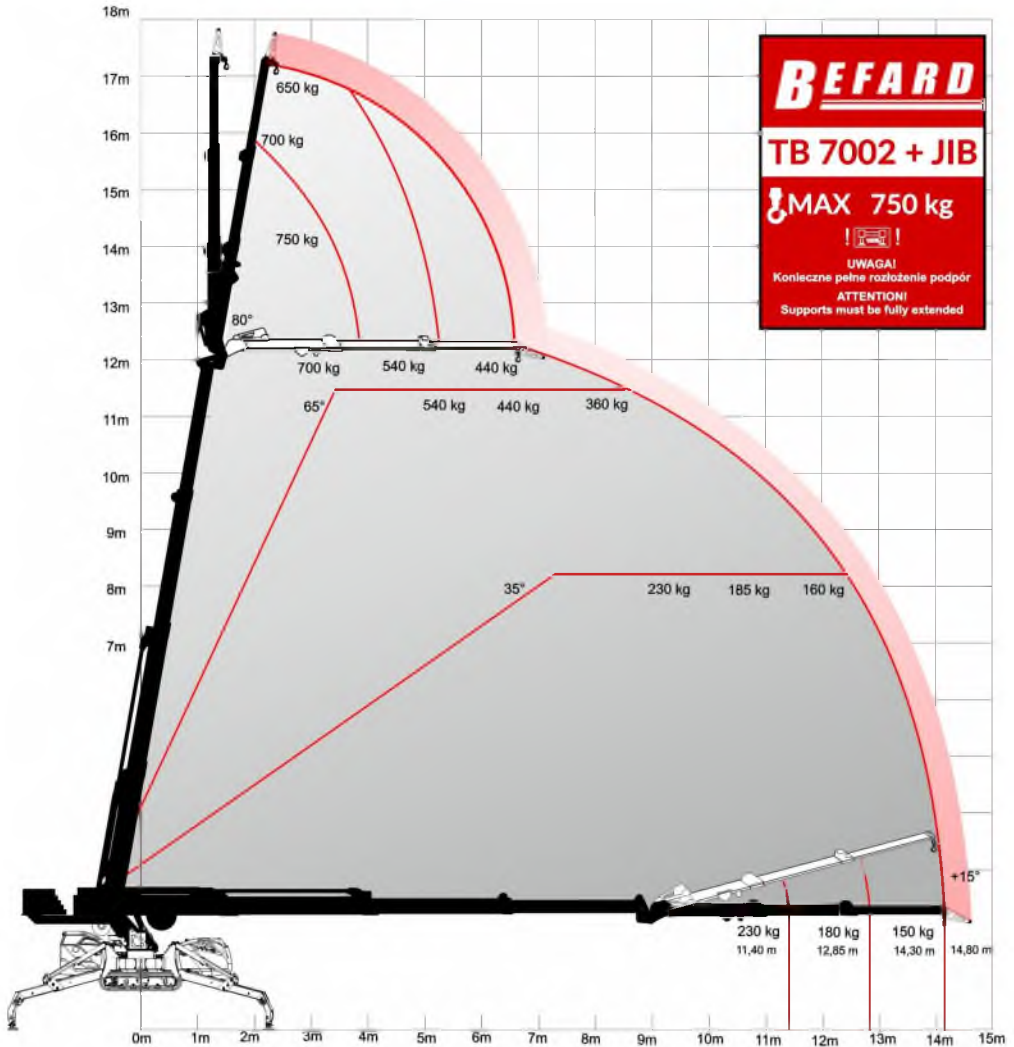


Maksymalne obciążenie haka szperającego wynosi 1000 kg. Używając haka szperającego należy stosować się do powyższego diagramu udźwigu.
The maximum load of a search-hook is 1000 kg. When using the search-hook, the above load capacity diagram should be followed.

BEFARD TB 7002

MINI CRANE ON A TRACKED CHASSIS

Reach with JIB and hook

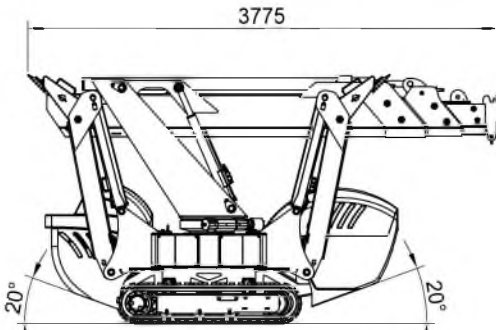


Maksymalne obciążenie haka szperającego JIB'a wynosi 500 kg. Używając haka szperającego należy stosować się do powyższego diagramu udźwigu.
The maximum load of a search-hook is 500 kg. When using the search-hook, the above load capacity diagram should be followed.

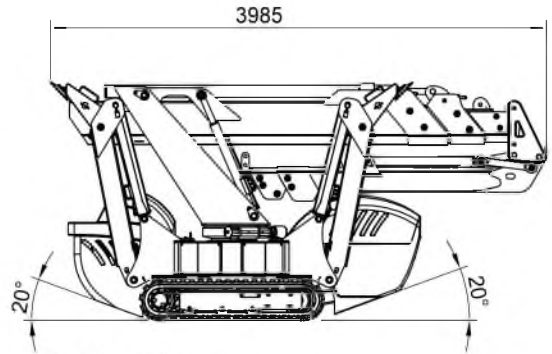
BEFARD TB 7002

MINI CRANE ON A TRACKED CHASSIS

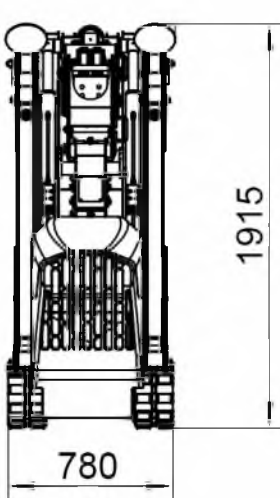
Transport position



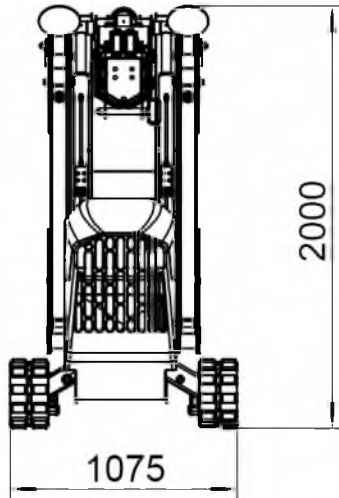
TB 7002



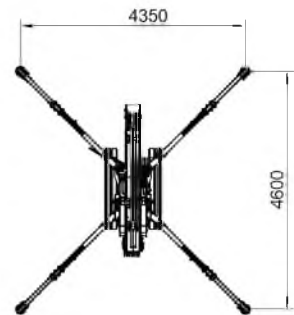
TB 7002 + JIB



Dimensions with standard track arrangement



Dimensions with wider track arrangement



Spacing of supports