

TB 3500
BEFARD TRACKED MINI CRANE



Mini crane on a BEFARD TB 3500 crawler chassis stands out for its maneuverability and mobility. Is very efficient at work, yet durable and reliable. Despite its compact structure and low weight It is characterized by high stability and can lift even heavy and large loads.



BEFARD TB intended for indoor and outdoor work.

- maximum load capacity of 2300 kg
- range over 9,0m
- active arm
- three hydraulic extensions + two manual extensions
- dual power supply - combustion and electric
- possibility of transporting the device even on a trailer up to 3.5t GVW



EQUIPMENT OF THE BASIC VERSION

- radio control (both driving and work)
- non-marking tracks
- two working and driving modes (fast and slow)
- anti-overload system
- the set includes a charger for radio control with a function charging in the car



OPTIONAL EQUIPMENT

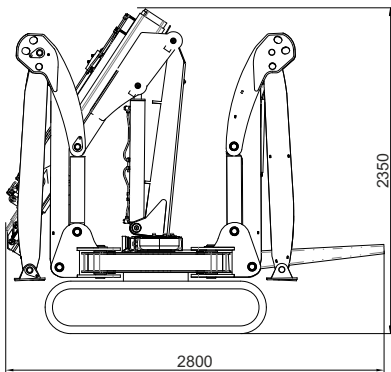
- powered by Li-ion batteries
- crane boom tip
- hydraulic winch
- additional hydraulic functions
- LED work lamp
- outrigger mats



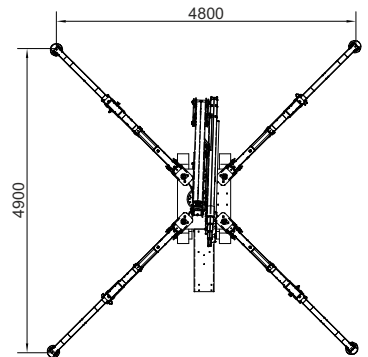
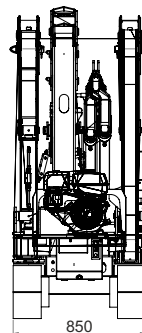
TECHNICAL PARAMETERS:

Maximum load capacity	2300kg
Maximum reach - horizontally \longleftrightarrow	7,35m
Maximum reach - vertical \updownarrow	9,30m
Winch	990kg
Winch rope	50m
Radio remote control	work and drive
Weight	1700kg
Power supply	engine 14KW + 230V, 400V or 110V or Li-ion bateries (48A 200Ah)
Spacing of supports	4,8x4,9m

Transport posion



Spacing of supports



TB 3500 standard version

