

TB 4000
BEFARD TRACKED MINI CRANE



Mini crane on a BEFARD TB 4000 crawler chassis stands out for its maneuverability and mobility. Is very efficient at work, yet durable and reliable. Despite its compact structure and low weight It is characterized by high stability and can lift even heavy and large loads.



BEFARD TB intended for indoor and outdoor work.

- maximum load capacity of 1750 kg
- range over 9,6m
- active arm
- four hydraulic extensions
- dual power supply - combustion and electric
- possibility of transporting the device even on a trailer up to 3.5t GVW



EQUIPMENT OF THE BASIC VERSION

- radio control (both driving and work)
- non-marking tracks
- two working and driving modes (fast and slow)
- anti-overload system
- the set includes a charger for radio control with a function charging in the car



OPTIONAL EQUIPMENT

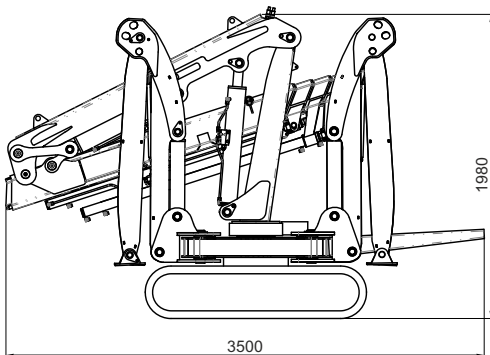
- powered by Li-ion batteries
- crane boom tip
- hydraulic winch
- additional hydraulic functions
- LED work lamp
- outrigger mats



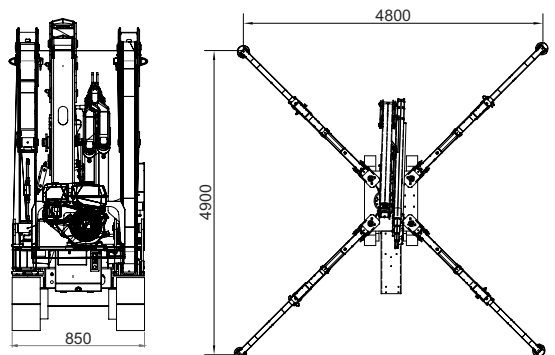
TECHNICAL PARAMETERS:

| | |
|--|--|
| Maximum load capacity | 1750kg |
| Maximum reach - horizontally \longleftrightarrow | 9,60m |
| Maximum reach - vertical \updownarrow | 11,80m |
| Winch | 990kg |
| Winch rope | 50m |
| Radio remote control | work and drive |
| Weight | 2000kg |
| Power supply | engine 14KW + 230V, 400V or 110V or Li-ion baeries (48V 200Ah) |
| Spacing of supports | 4,8x4,9m |

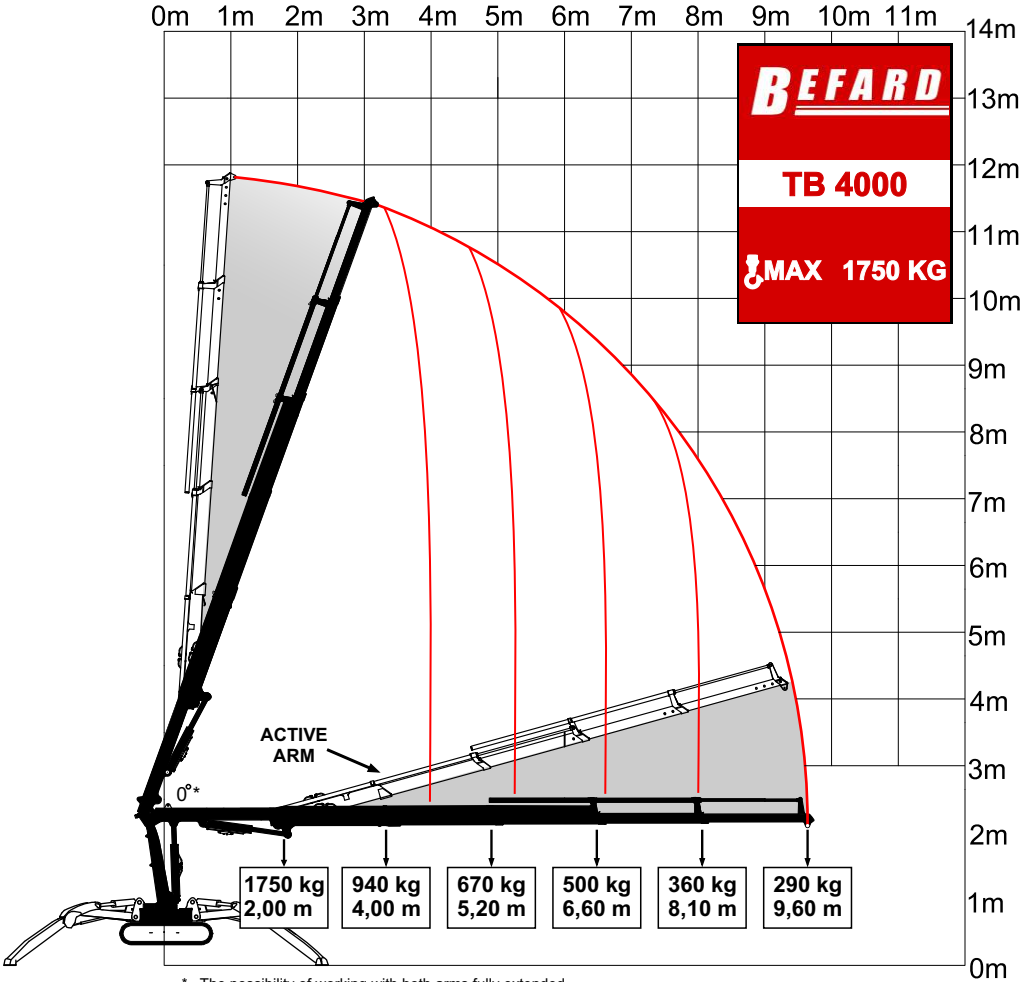
Transport posion



Spacing of supports



TB 4000 standard version



* The possibility of working with both arms fully extended

** An active arm with linkage on crane articulations, allowing for an additional break up to 16th rise