



BEFARD XC

**MANIPULATORS, ROBOTS FOR ASSEMBLING
GLASS ON A WHEELED CHASSIS**

ASSEMBLY MANIPULATORS, GLASS ASSEMBLY ROBOTS

BEFARD XC

BEFARD glass assembly robots of the XC series are indispensable devices for the assembly and transport of windows, glass and other flat surfaces. Depending on the configuration, they can have a range of over 5 meters and a load capacity of up to 820 kg. Battery powered, electro-hydraulic BEFARD robots are perfect for outdoors, e.g. in front of buildings, as well as and inside buildings.

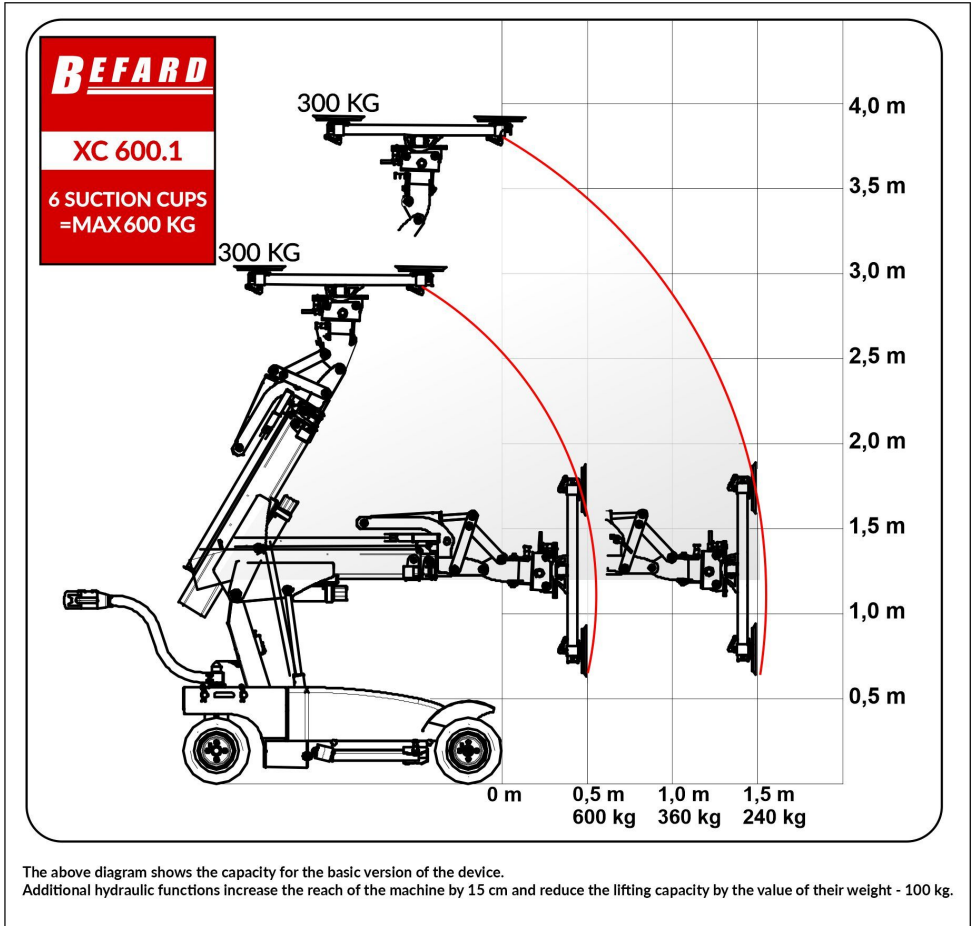
The BEFARD XC assembly manipulators, regardless of the version, have the possibility of lateral displacement of the frame with suction cups by 100 mm, such a solution enables the operation of the side-shift hydraulic cylinder, which enables precise positioning of the window in the window opening. You can also increase the spacing of the suction cups, obtaining a larger or smaller surface depending on the needs and size.

ADDITIONAL, OPTIONAL FUNCTIONS:

- suction cups with adjustable distance from the frame,
- double wheels (twins),
- filled circles,
- non-marking solid wheels,
- wider wheels,
- foldable handle,
- RAL color,
- hydraulic/electric rotation - manual rotation as standard,
- hydraulic/electric side tilt - manual tilt as standard,
- covers for suction cups,
- hook,
- forks,
- halogen lighting,
- narrowing the width to 78 cm (narrower and higher circles)

BEFARD XC 600

One hydraulic extension



Capacity:
600 kg

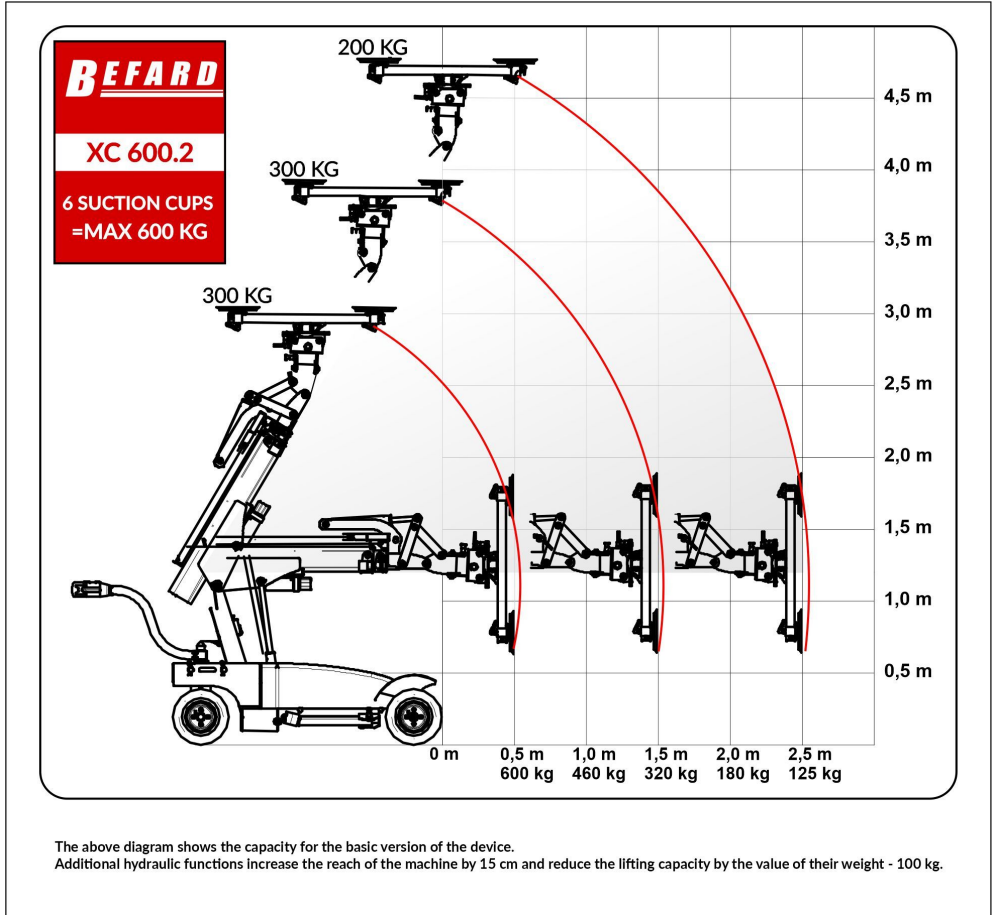


Number of suction
cups: 6



BEFARD XC 600

One hydraulic extension

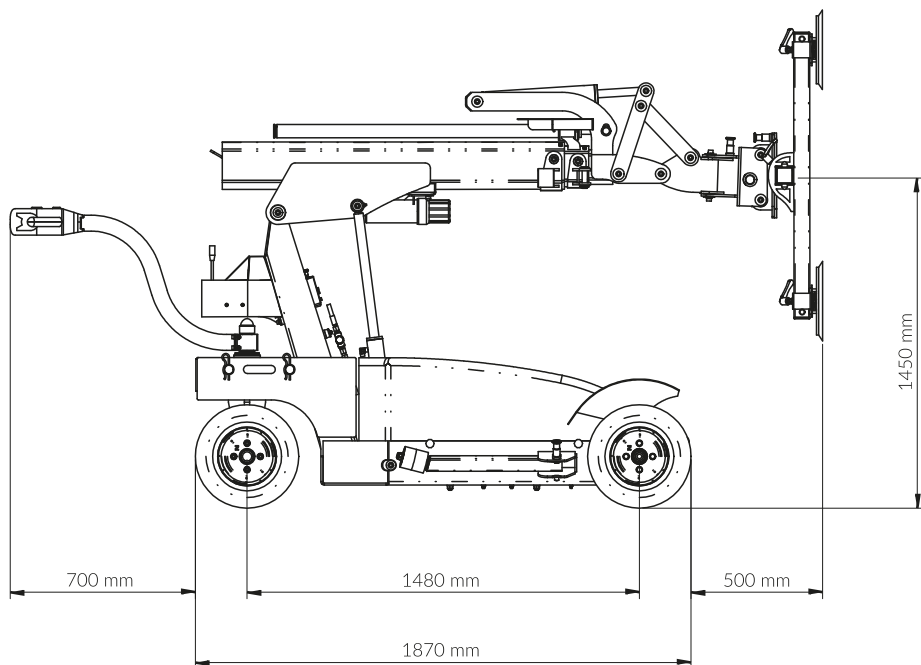


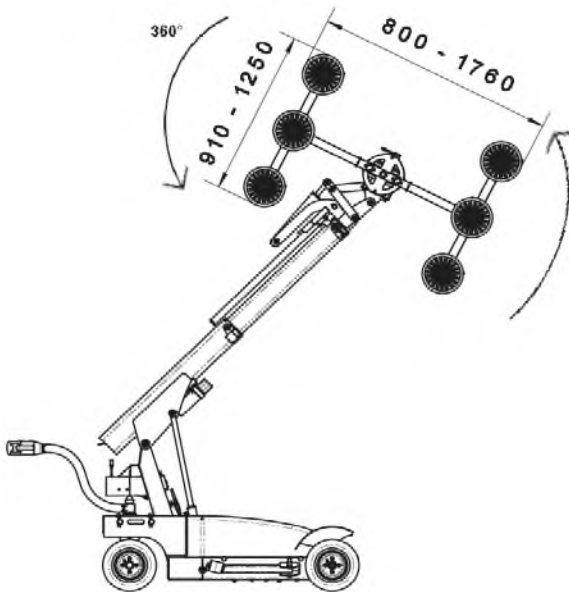
Capacity:
600 kg



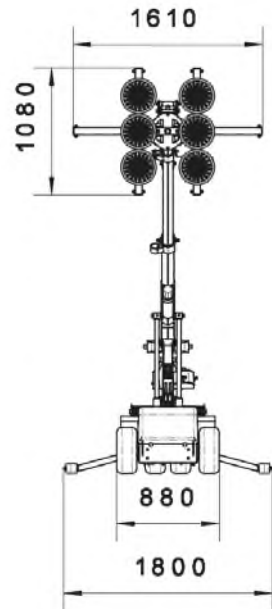
Number of suction
cups: 6



DIMENSIONS OF THE BEFARD ROBOTS XC400 / XC 600 / XC820

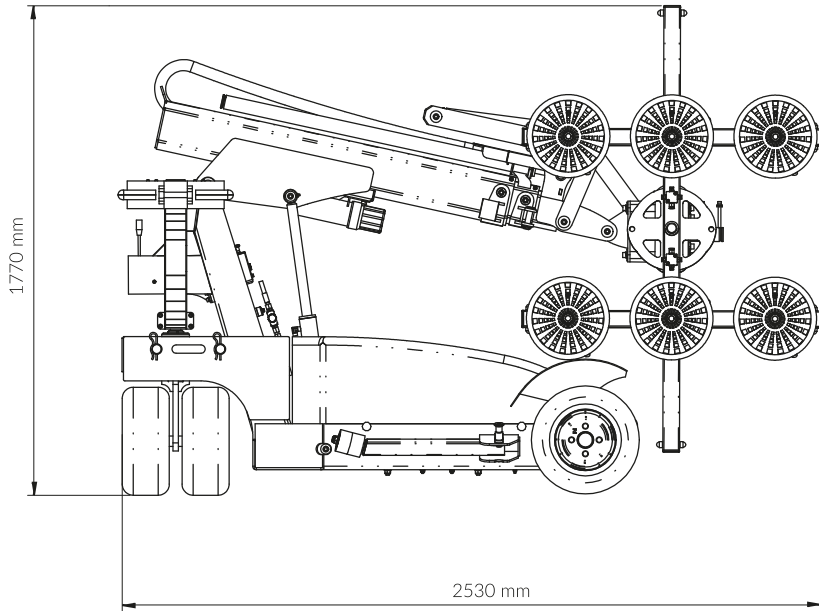


The maximum distance between the suction cups



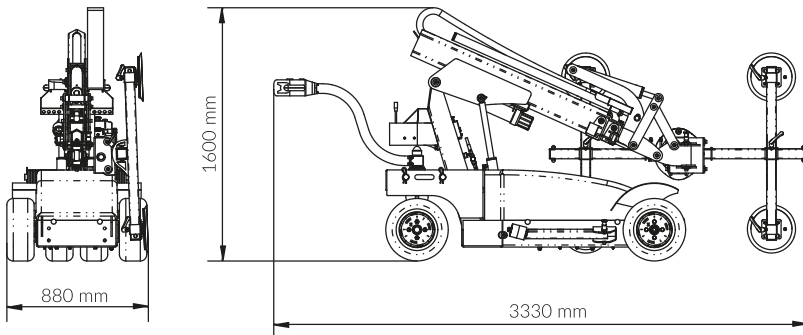
Frame spacing

TRANSPORT DIMENSIONS



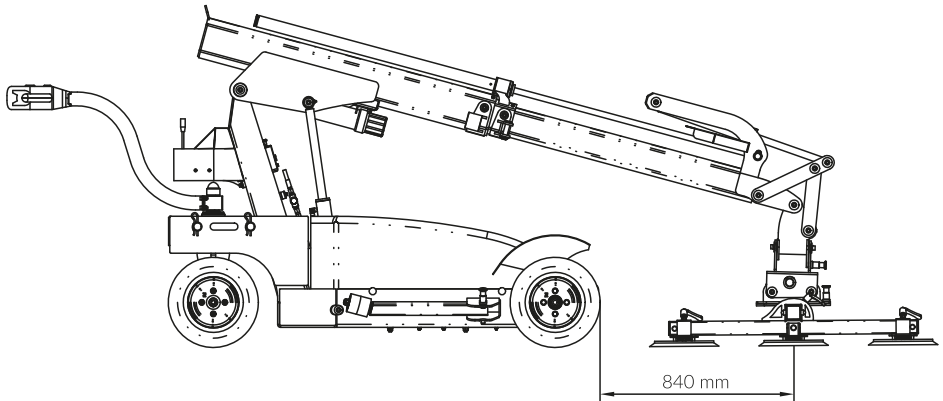
Option I

(suction cup frame - vertical; steering wheel - folded to the side)

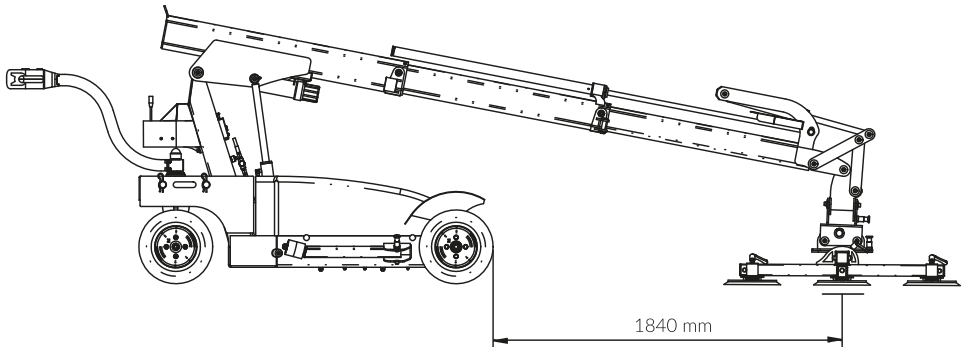


Option II

(suction cup frame - level; steering wheel - straight)

LIFT RANGE FROM THE GROUND

Option I
(1 hydraulic extension)



Option II
(2 hydraulic extensions)



